

Use the following fastener substitutions where necessary. All torques remain the same as specified in manuals and check lists. Matching washers have been eliminated.

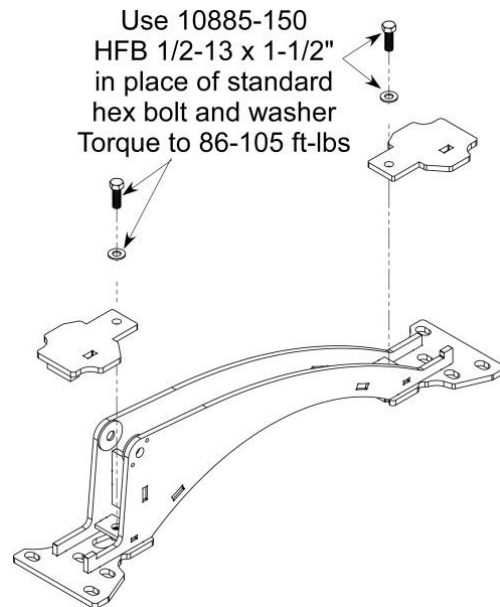
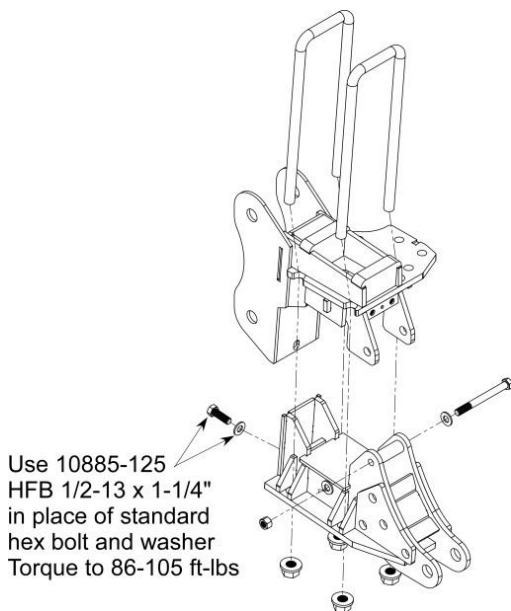
Abbreviations:

- LHN: Locking Hex Nut
- LFN: Locking Flange Nut
- HCS: Hex Cap Screw
- HFB: Hex Flange Bolt

Current Specified Lock Hex Nuts		→	Replaced By Locking Flange Nuts	
Part Number	Description		Part Number	Description
10004-013	LHN 1/4-20	10012-009	LFN 1/4-20	
10004-016	LHN 3/8-16	10012-005	LFN 3/8-16	
10004-019	LHN 1/2-13	10012-007	LFN 1/2-13	
10004-021	LHN 5/16-18	10012-010	LFN 5/16-18	

Current Specified Hex Cap Screws		→	Replaced By Hex Flange Bolts	
Part Number	Description		Part Number	Description
10011-008	HCS 1/2-13 x 1.50**	See Below	See Below	
10011-009	HCS 1/2-13 x 3.25	10885-325	HFB 1/2-13 x 3.25	
10011-010	HCS 1/2-13 x 1.75	10885-175	HFB 1/2-13 x 1.75	
10011-012	HCS 1/2-13 x 5.00	10885-500	HFB 1/2-13 x 5.00	
10011-013	HCS 1/2-13 x 2.00	10885-200	HFB 1/2-13 x 2.00	
10210-004	HCS 1/4-20 x 1.00	10989-100	HFB 1/4-20 x 1.00	
10238-002	HCS 5/16-18 x 1.00	10886-100	HFB 5/16-18 x 1.00	
10328-004	HCS 5/16-18 x 1.25	10886-125	HFB 5/16-18 x 1.25	
10461-005	HCS 3/8-16 x 1.50	10501-150	HFB 3/8-16 x 1.50	

**For the 10011-008 HCS 1/2-13 x 1.50:



All other fasteners are unaffected.