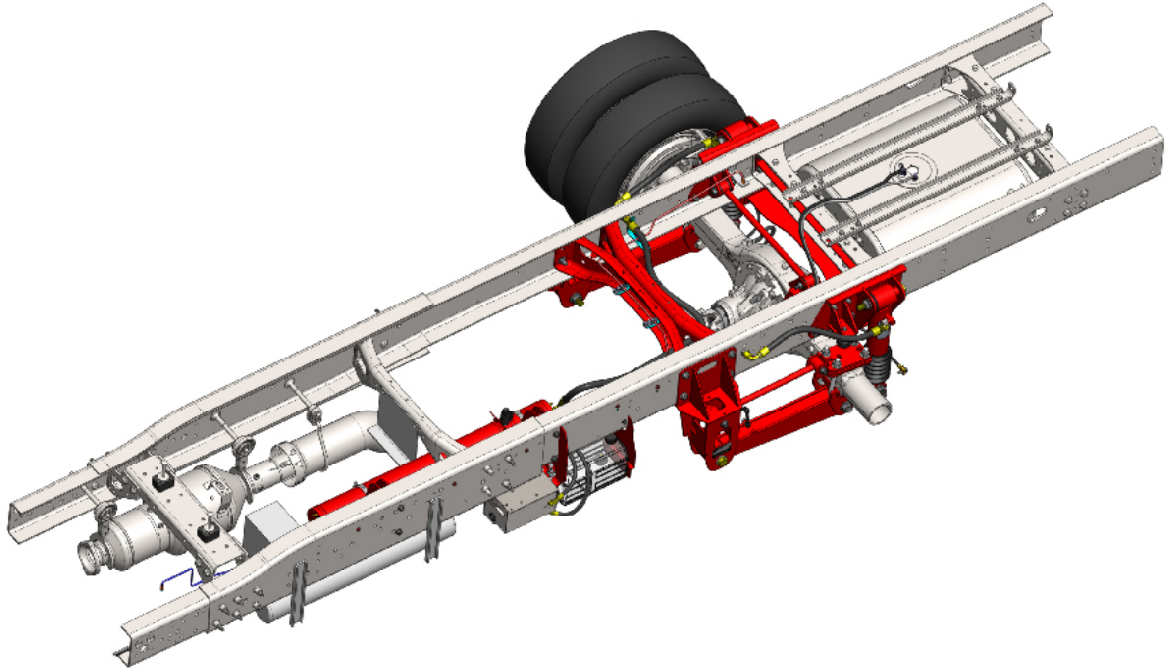


<sup>®</sup>  
**CLASS**

## **DS 135N-A**

Drive Axle Rear Suspensions  
for International TerraStar  
Cab Chassis

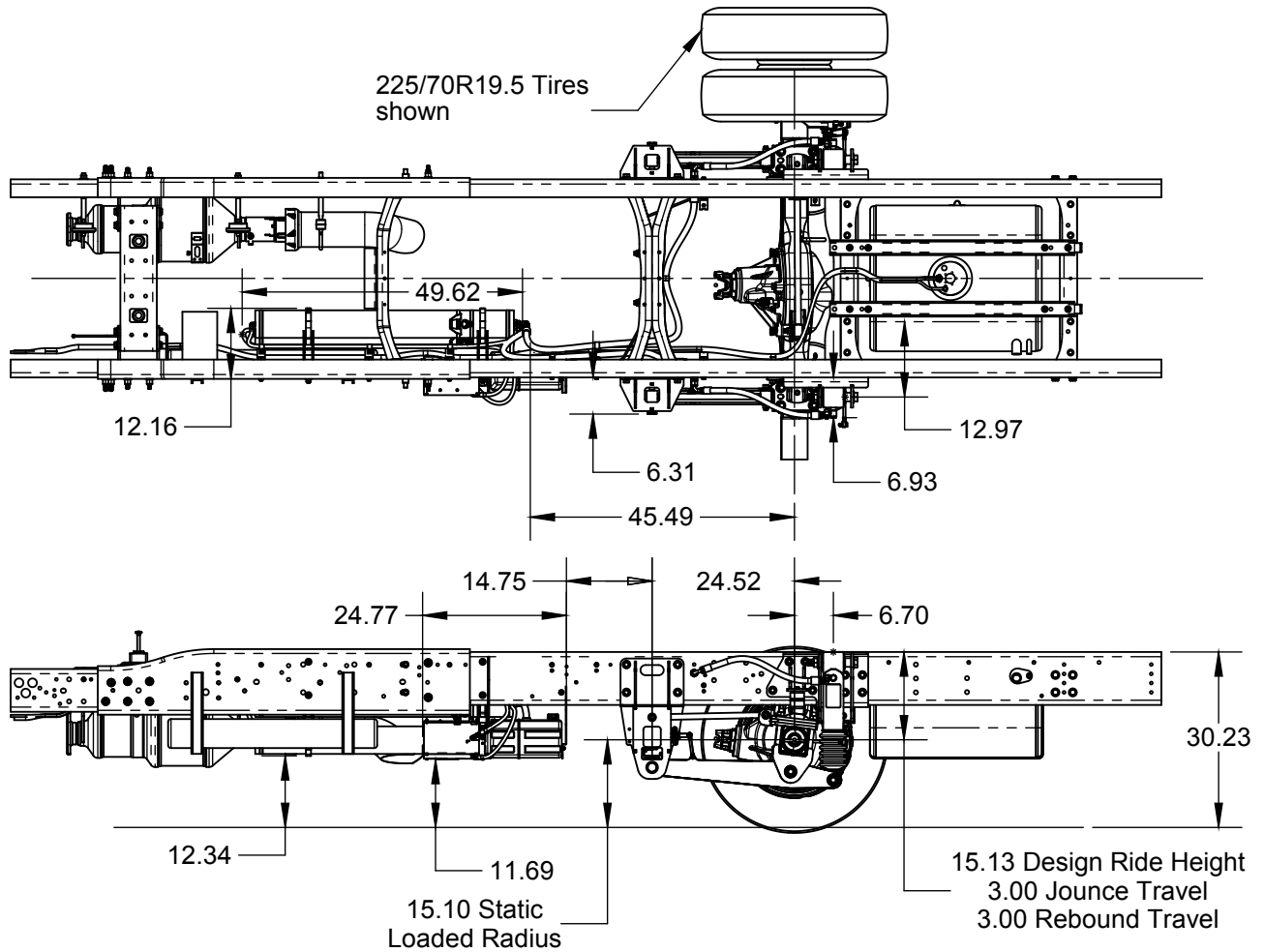


- Non-torque reactive design optimized with CLASS<sup>®</sup>
- Maintains proper driveline geometry through full range of torque inputs reducing driveline noise, vibration, and fatigue
- Variable stiffness and damping adjusted automatically and instantaneously based on road conditions without driver intervention
- Does not require modification to exhaust
- Compact package space claim
- 13,500 lbs GAWR



**Compressible Liquid Adaptive Suspension System**

# DS135N-A Drive Axle Rear Suspensions for International TerraStar Cab Chassis based Vehicles



**Engineered suspension solutions for  
your ride and handling issues.**



**LiquidSpring™ LLC**

3416 Rascal Drive  
Lafayette, IN 47909

Phone: 765-474-7816

Fax: 765-474-7826

Web: [www.liquidspring.com](http://www.liquidspring.com)