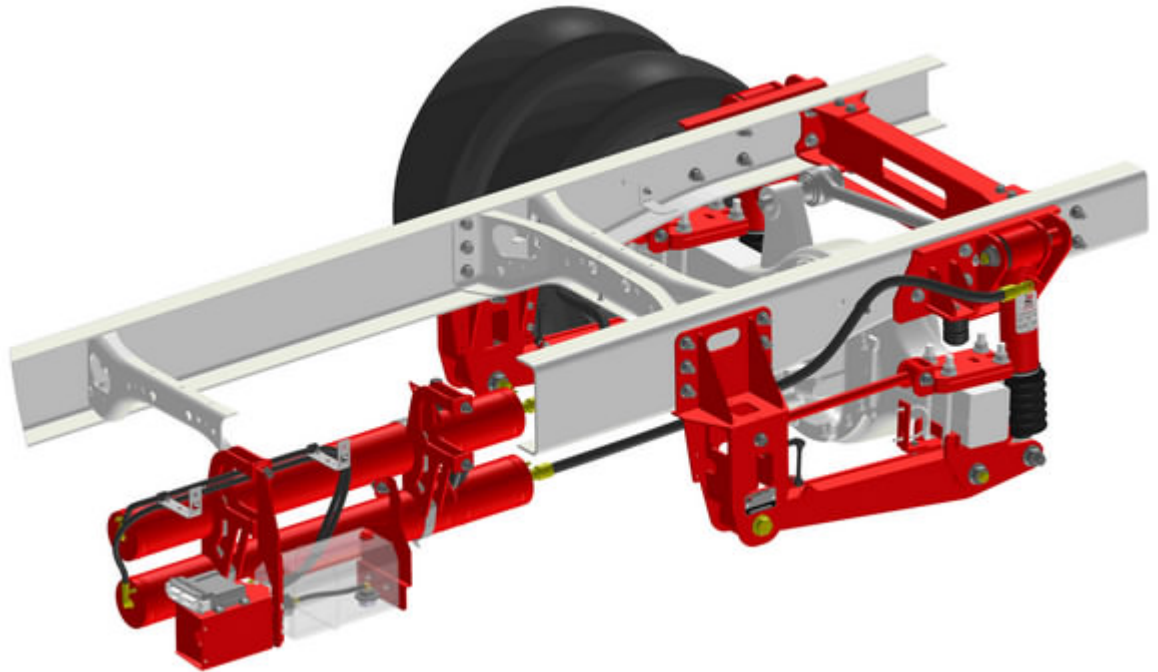


International DuraStar 4300

Drive Axle Rear Suspensions
Model: DS135ND

CLASS[®]

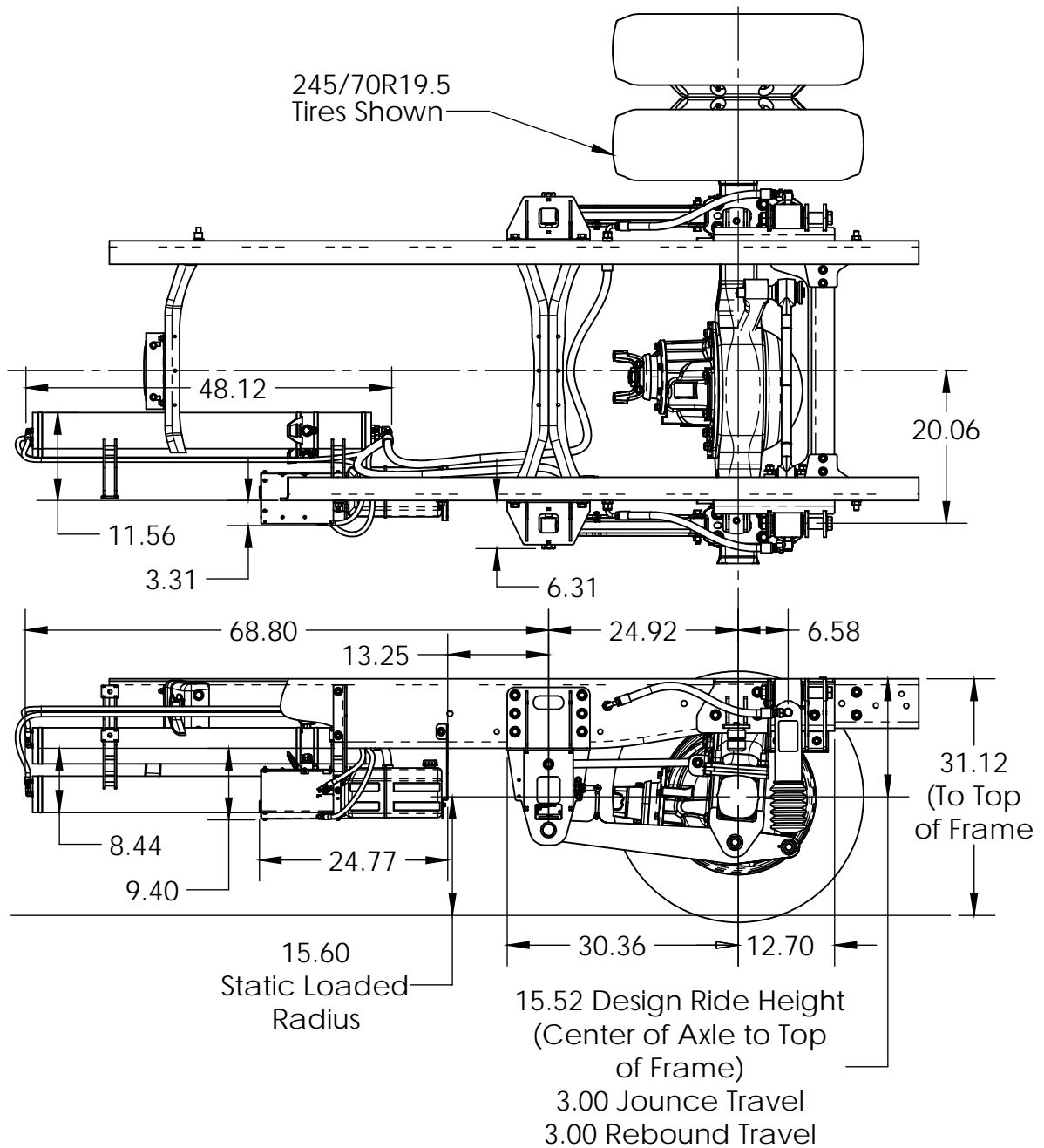


- Non-torque reactive design optimized with CLASS[®]
- Maintains proper driveline geometry through full range of torque inputs reducing driveline noise, vibration, and fatigue
- Variable stiffness and damping adjusted automatically and instantaneously based on road conditions without driver intervention
- Does not require modification to exhaust
- Compact package space claim
- 13,500 lbs GAWR



Compressible Liquid Adaptive Suspension System

International DuraStar 4300 Cab Chassis Vehicle based Drive Axle Suspension



LiquidSpring™ LLC
3416 Rascal Drive
Lafayette, IN 47909

Phone: 765-474-7816

Fax: 765-474-7826

Web: www.liquidspring.com