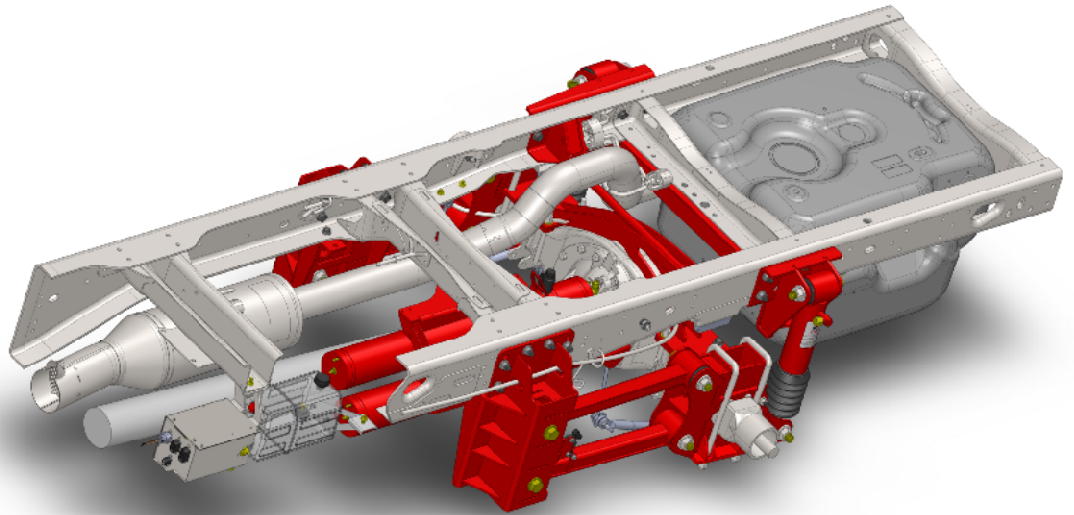


**CLASS<sup>®</sup>**

## **DS 120R-A**

Drive Axle Rear Suspensions  
for Ram 4500 Cab Chassis  
based Ambulances

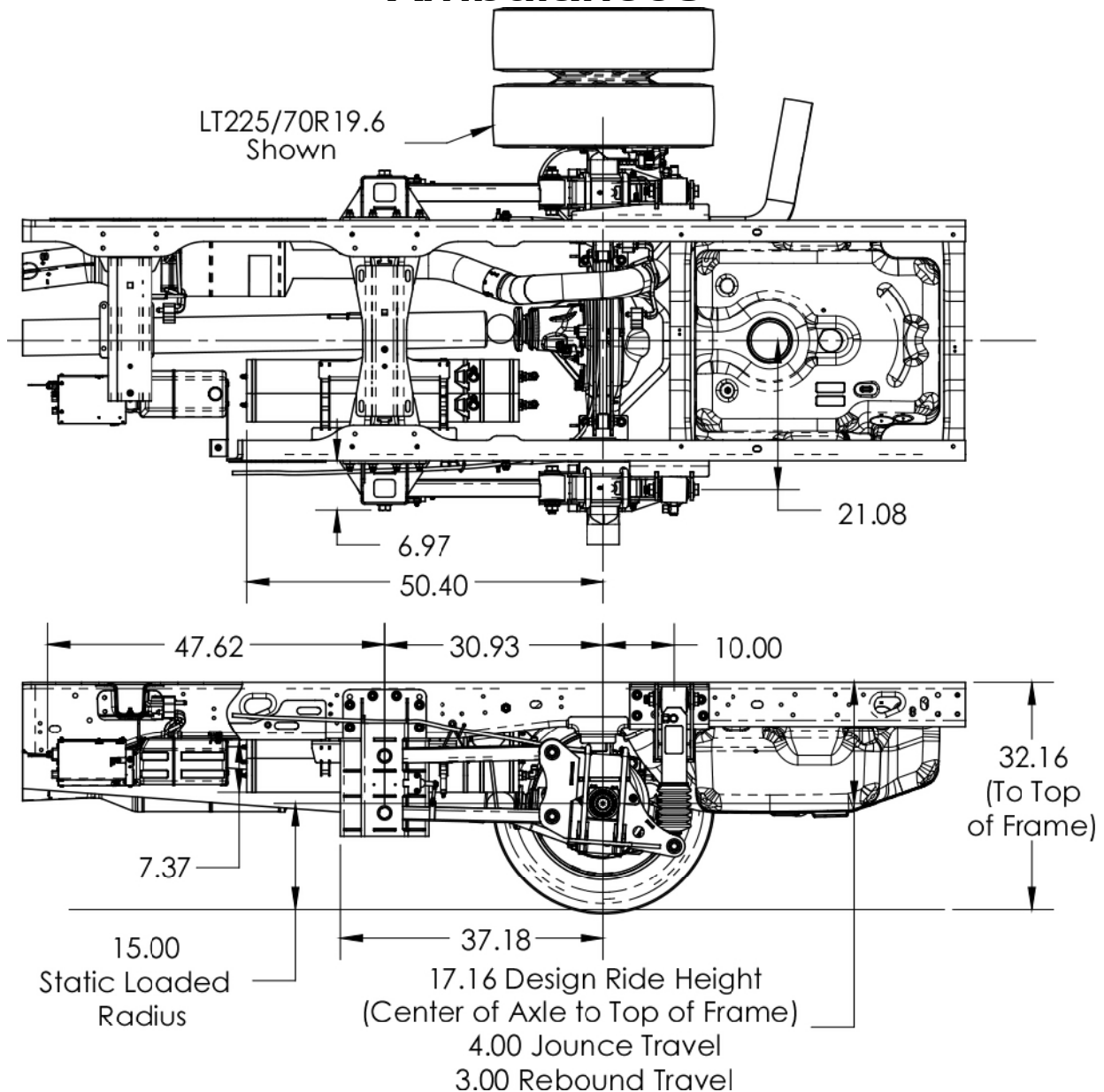


- Non-torque reactive design optimized with CLASS<sup>®</sup>
- Maintains proper driveline geometry through full range of torque inputs reducing driveline noise, vibration, and fatigue
- Variable stiffness and damping adjusted automatically and instantaneously based on road conditions without driver intervention
- Does not require modification to exhaust
- Compact package space claim
- 12,000 lbs GAWR for Ram 4500



**Compressible Liquid Adaptive Suspension System**

# DS120R-A Drive Axle Rear Suspensions for Ram 4500 Cab Chassis based Ambulances



**Engineered suspension solutions for  
your ride and handling issues.**



**LiquidSpring™ LLC**

3416 Rascal Drive  
Lafayette, IN 47909

Phone: 765-474-7816

Fax: 765-474-7826

Web: [www.liquidspring.com](http://www.liquidspring.com)