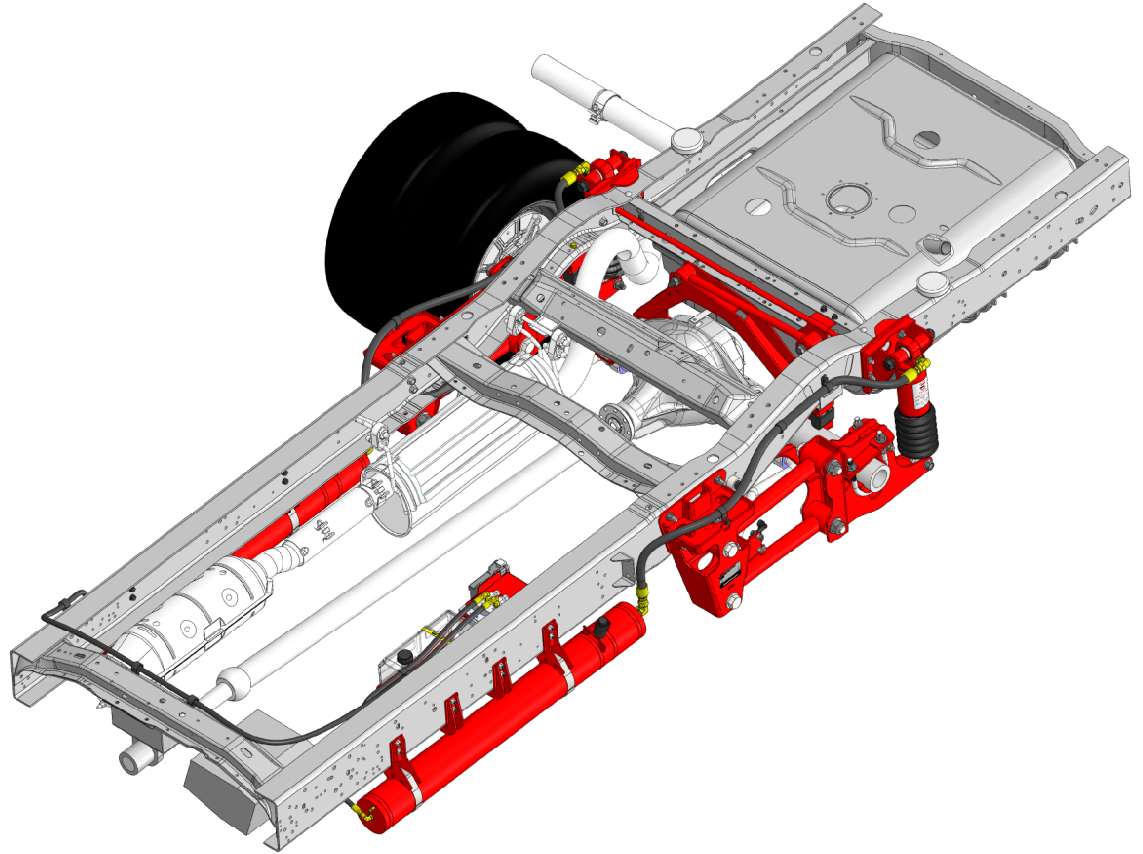


[®]
CLASS

DS85FS2

DS96FS2

Drive Axle Rear Suspensions
for E-350 and E-450 Cab Chassis

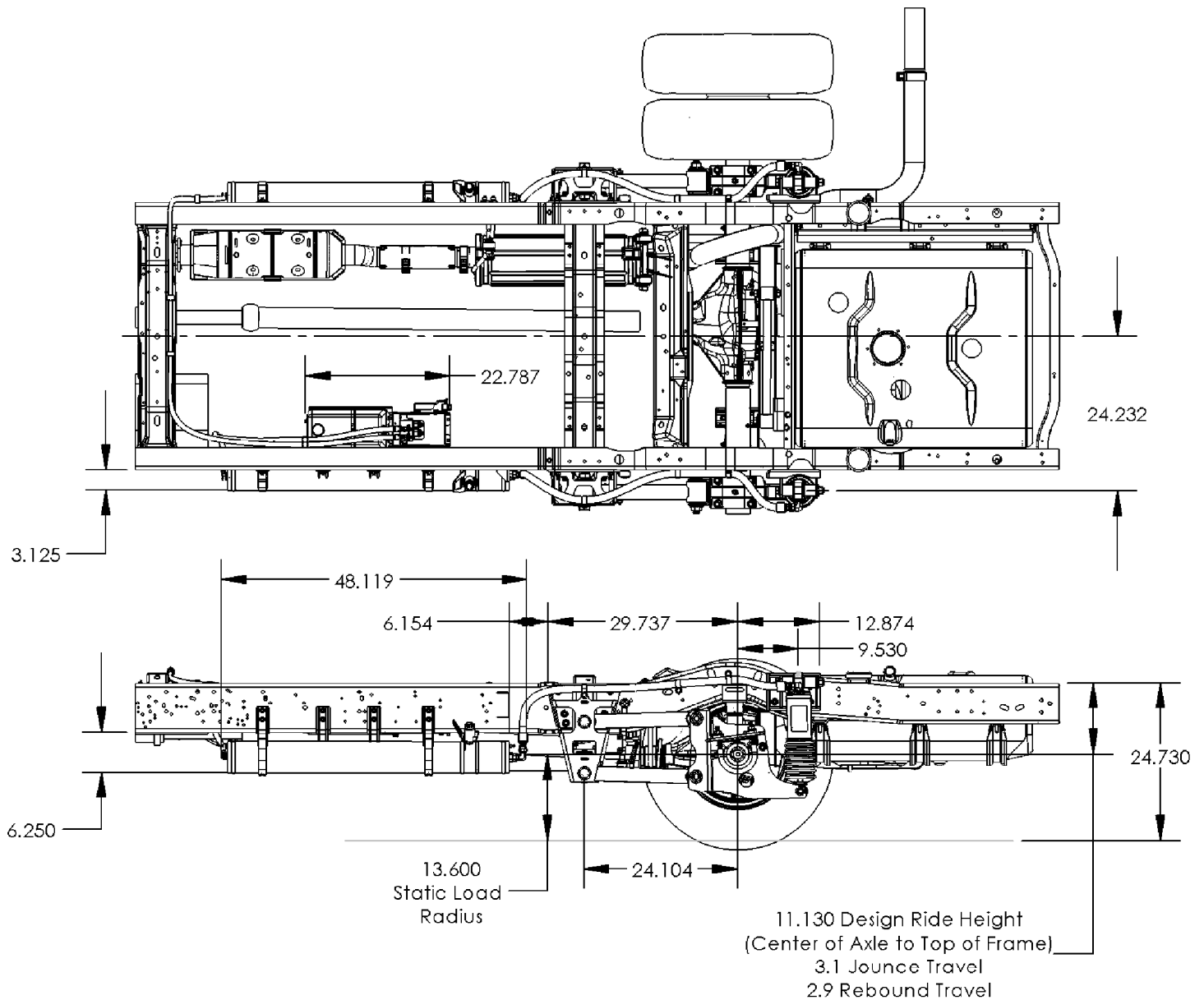


- Non-torque reactive design optimized with CLASS[®]
- Maintains proper driveline geometry through full range of torque inputs reducing driveline noise, vibration, and fatigue
- Variable stiffness and damping adjusted automatically and instantaneously based on road conditions without driver intervention
- Does not require modification to exhaust
- Compact package space claim
- 8500 lbs GAWR (E-350)
- 9600 lbs GAWR (E-450)



Compressible Liquid Adaptive Suspension System

DS85/96FS2 Drive Axle Rear Suspension for E-350 and E-450 Cab Chassis



LiquidSpring™ LLC

3416 Rascal Drive
Lafayette, IN 47909

Phone: 765-474-7816

Fax: 765-474-7826

Web: www.liquidspring.com